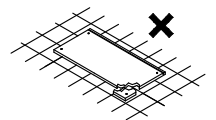
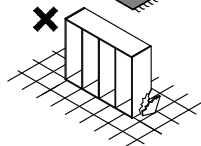
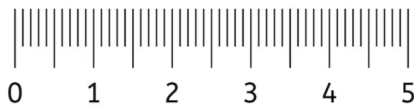
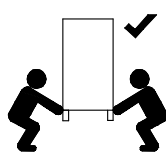
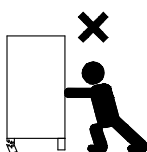
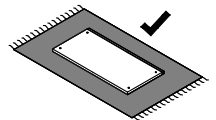
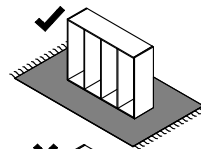
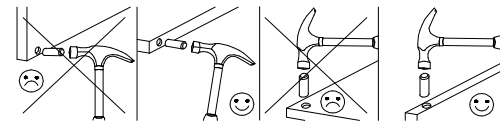
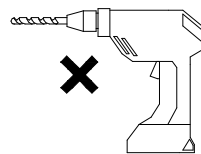
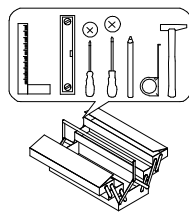
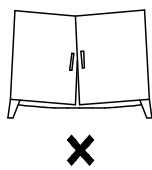
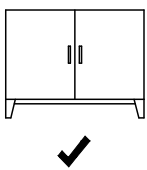
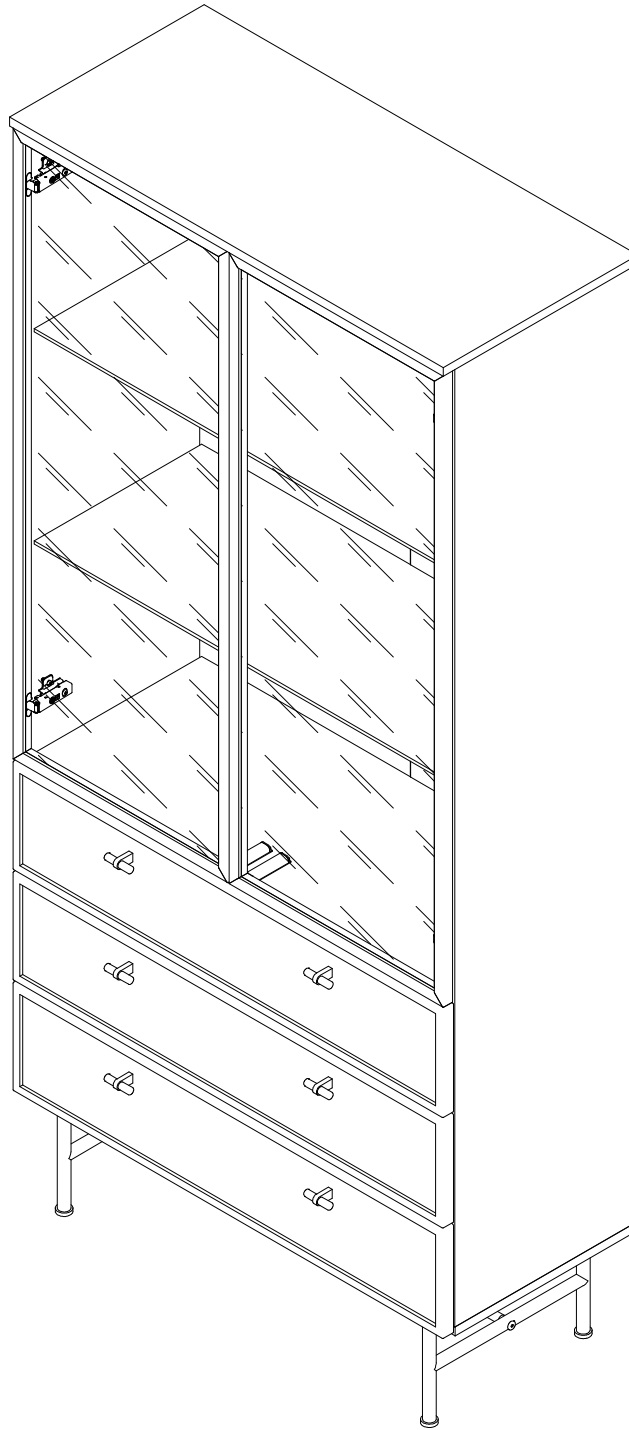
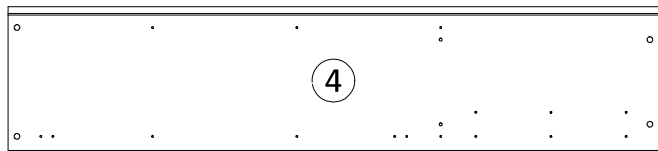


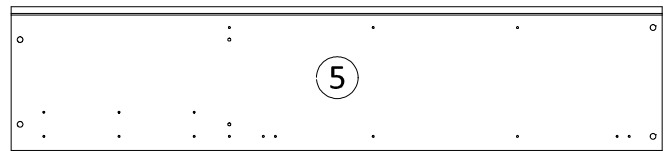
ELORA

R-2

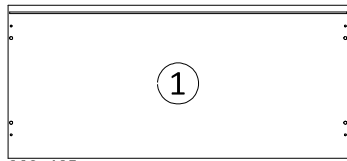




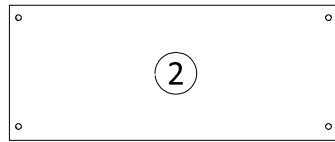
1724x380



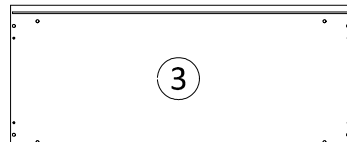
1724x380



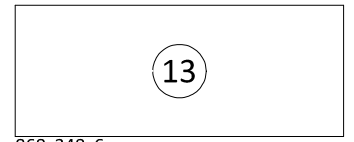
902x405



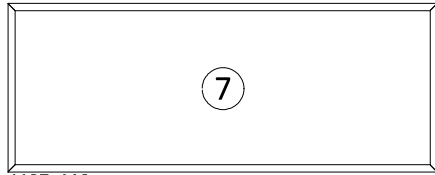
869x358



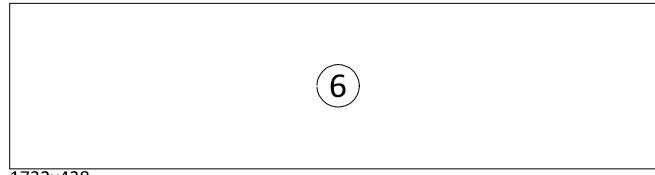
902x380



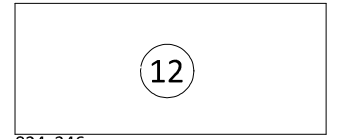
868x348x6



1137x446



1732x438



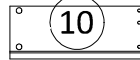
824x346



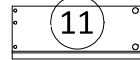
895x196



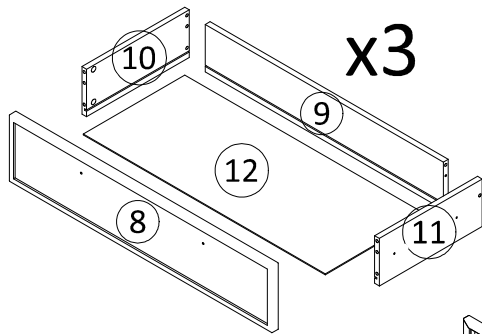
811x140



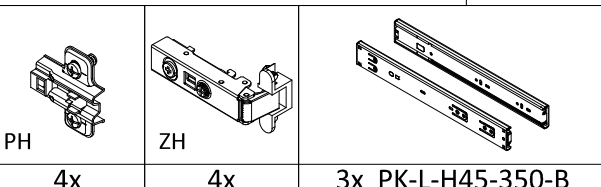
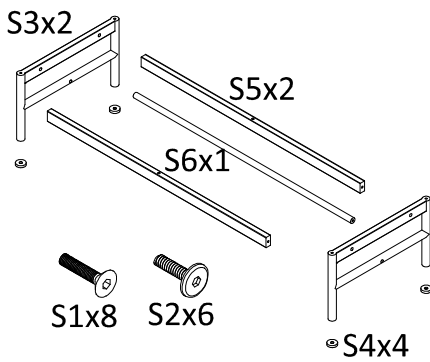
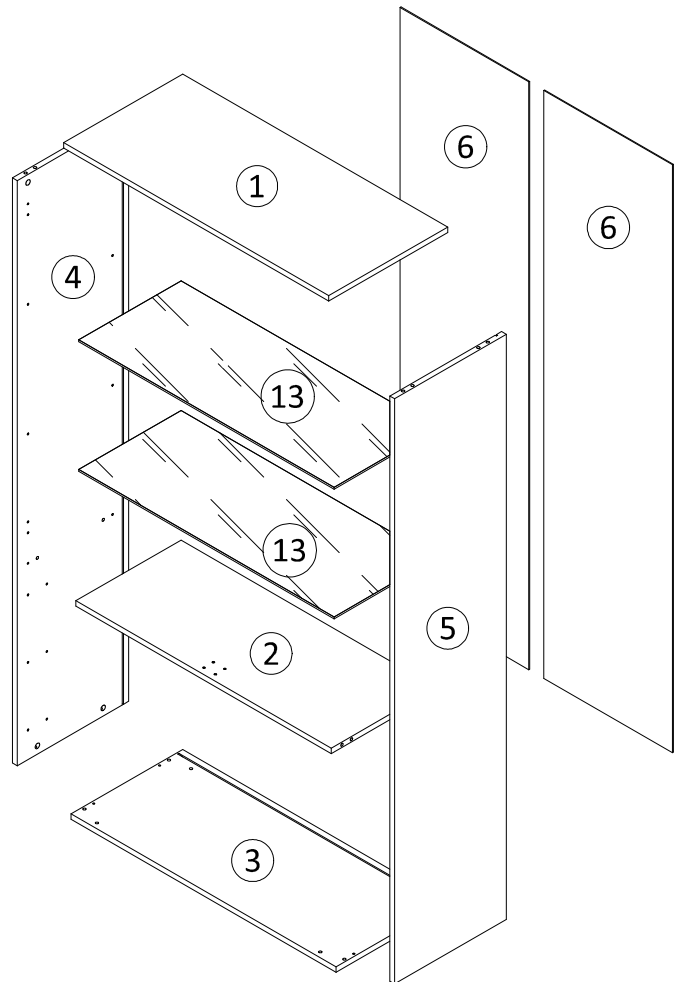
350x140

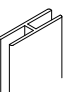
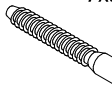





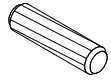

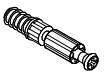
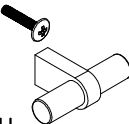
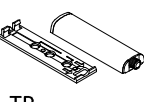
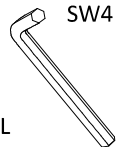
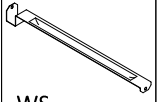
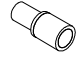


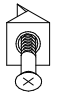




350x140

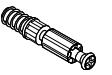
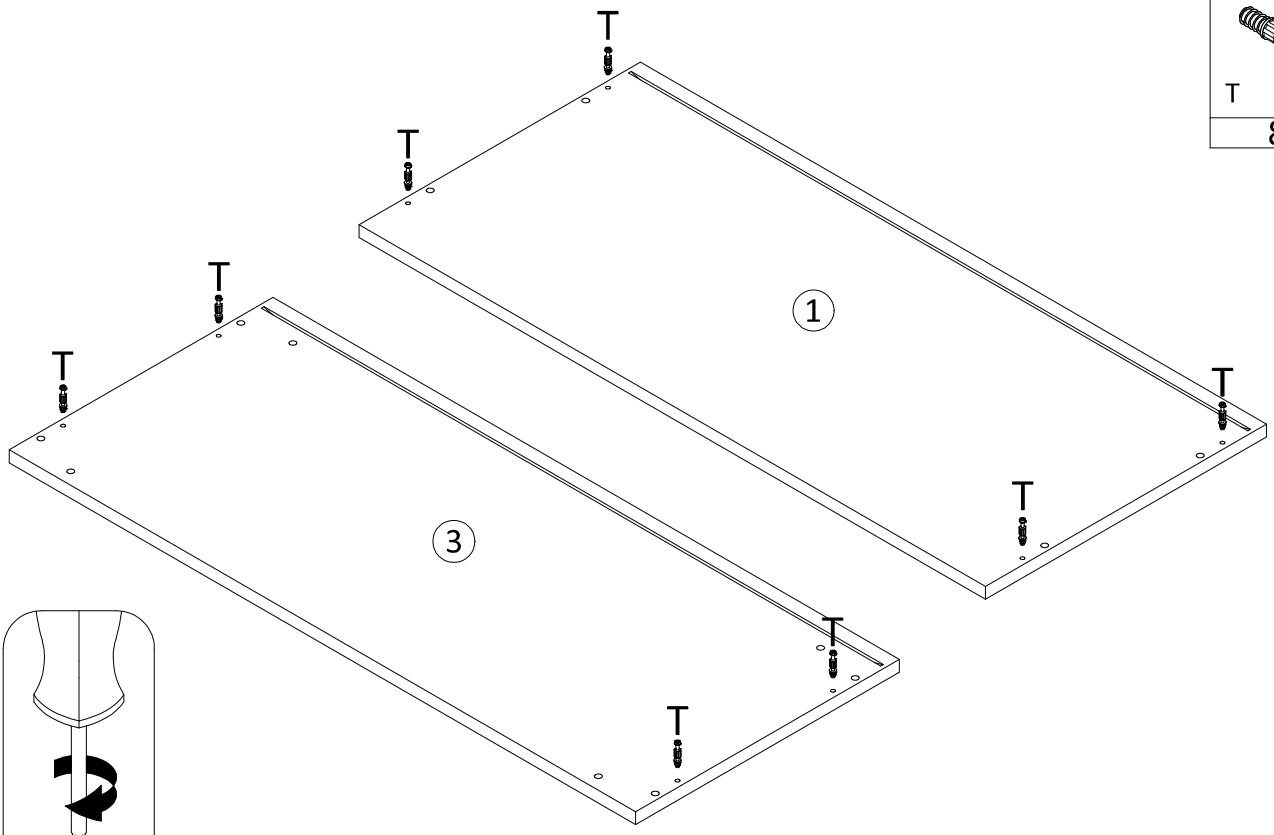


x3



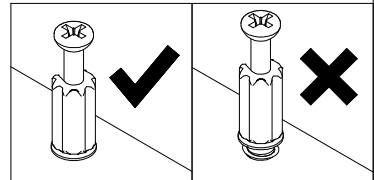
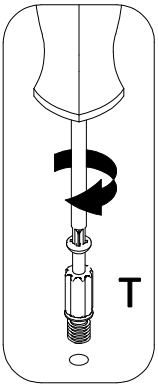
									
1x	6x	12x	12x	6x	14x	2x	30x	24x	24x
									
6x	2x	1x	3x	8x	24x	4x	10x	9x	1x

1

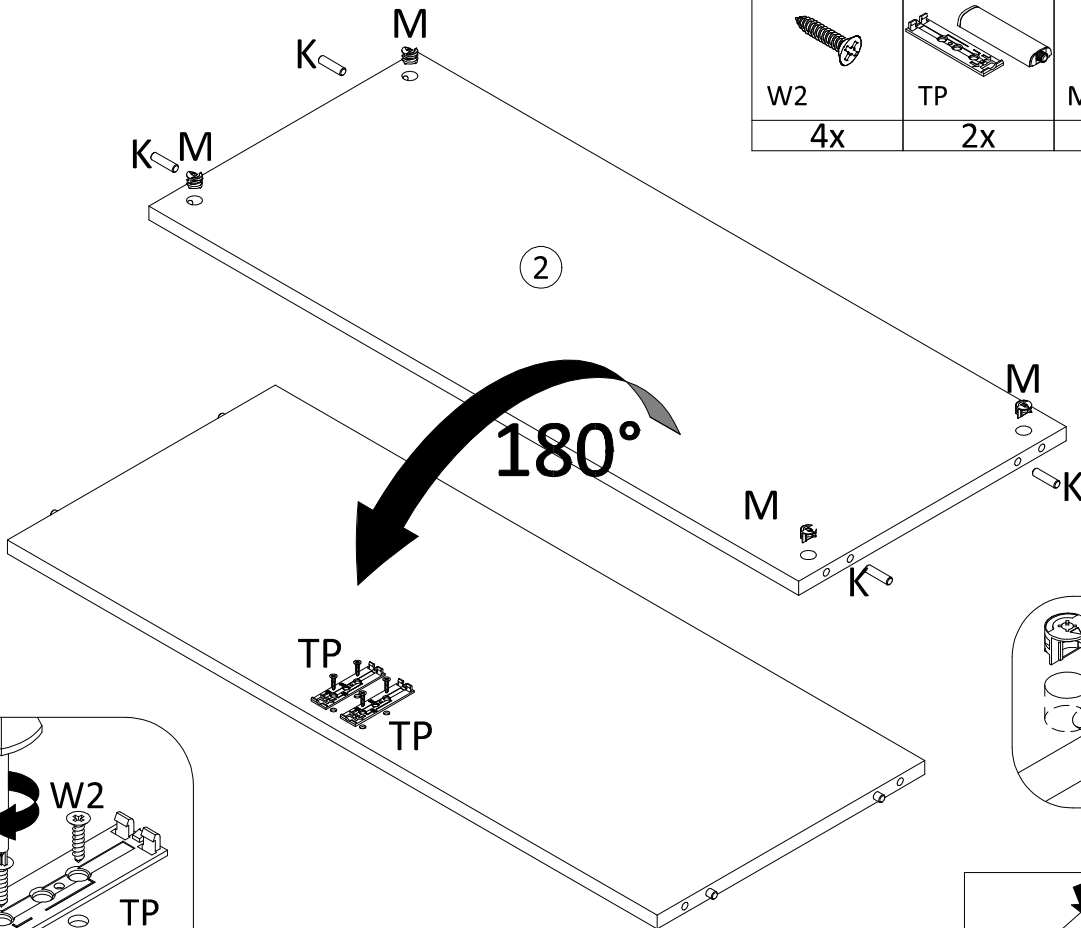


T

8x



2

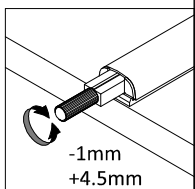
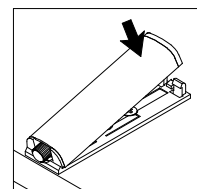
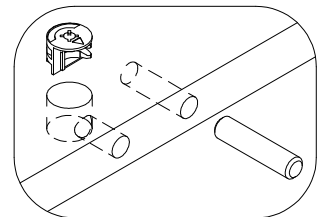
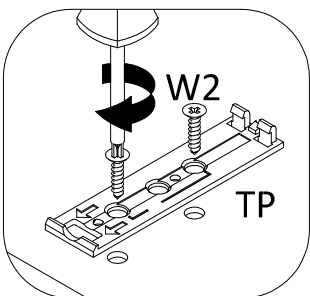


W2
4x

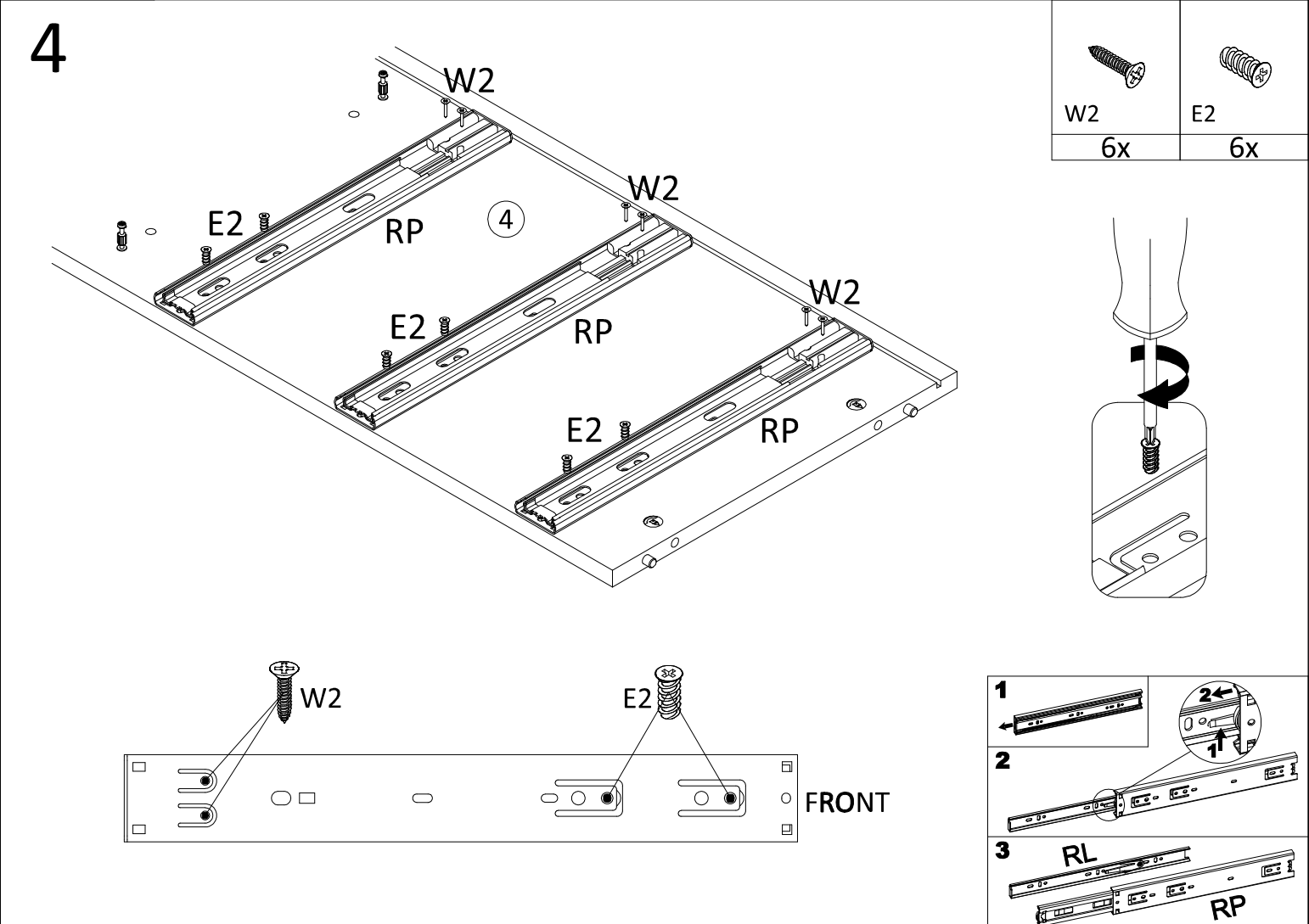
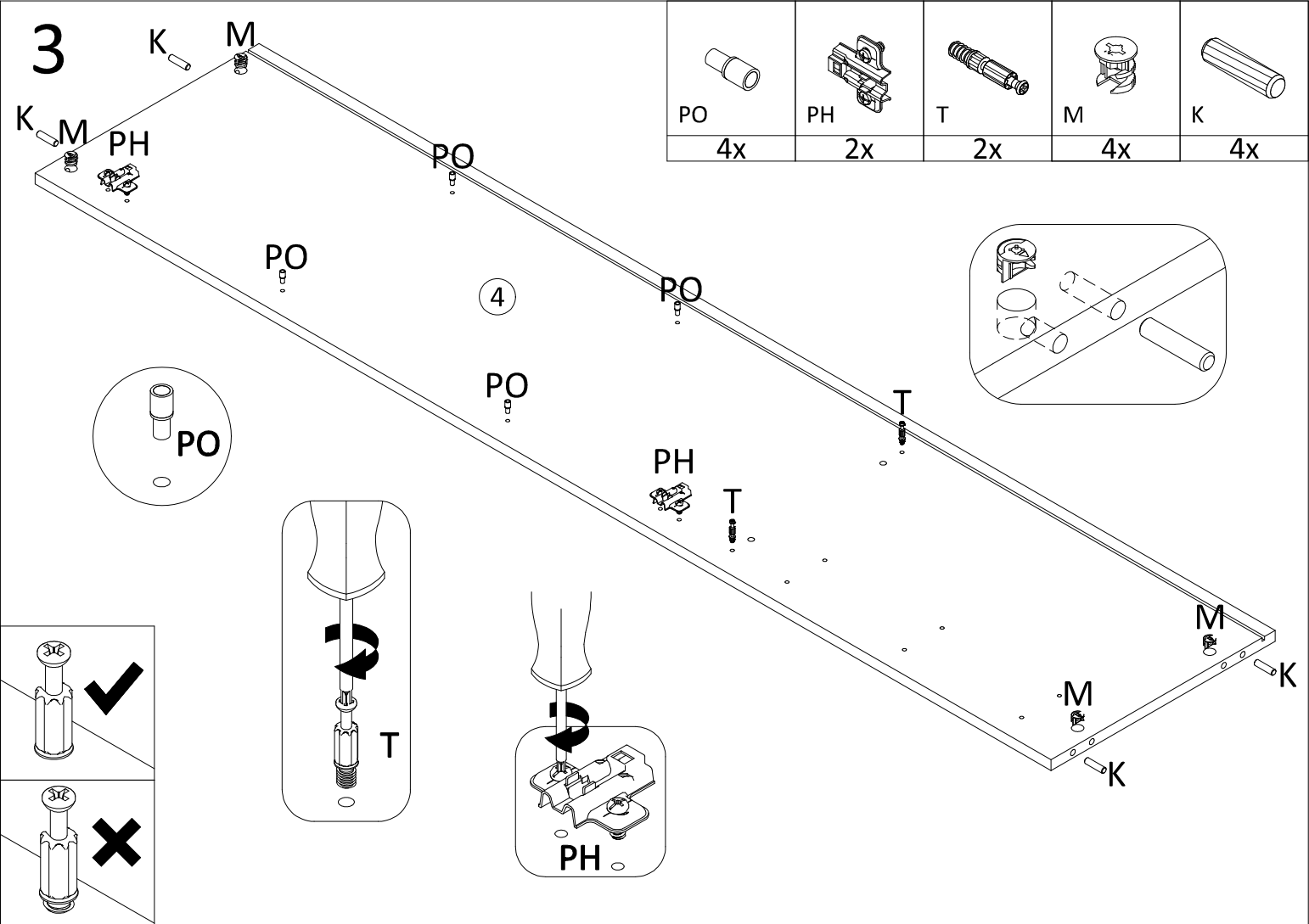
TP
2x

M
4x

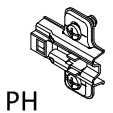
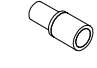
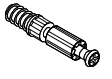

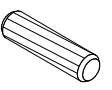
K
4x

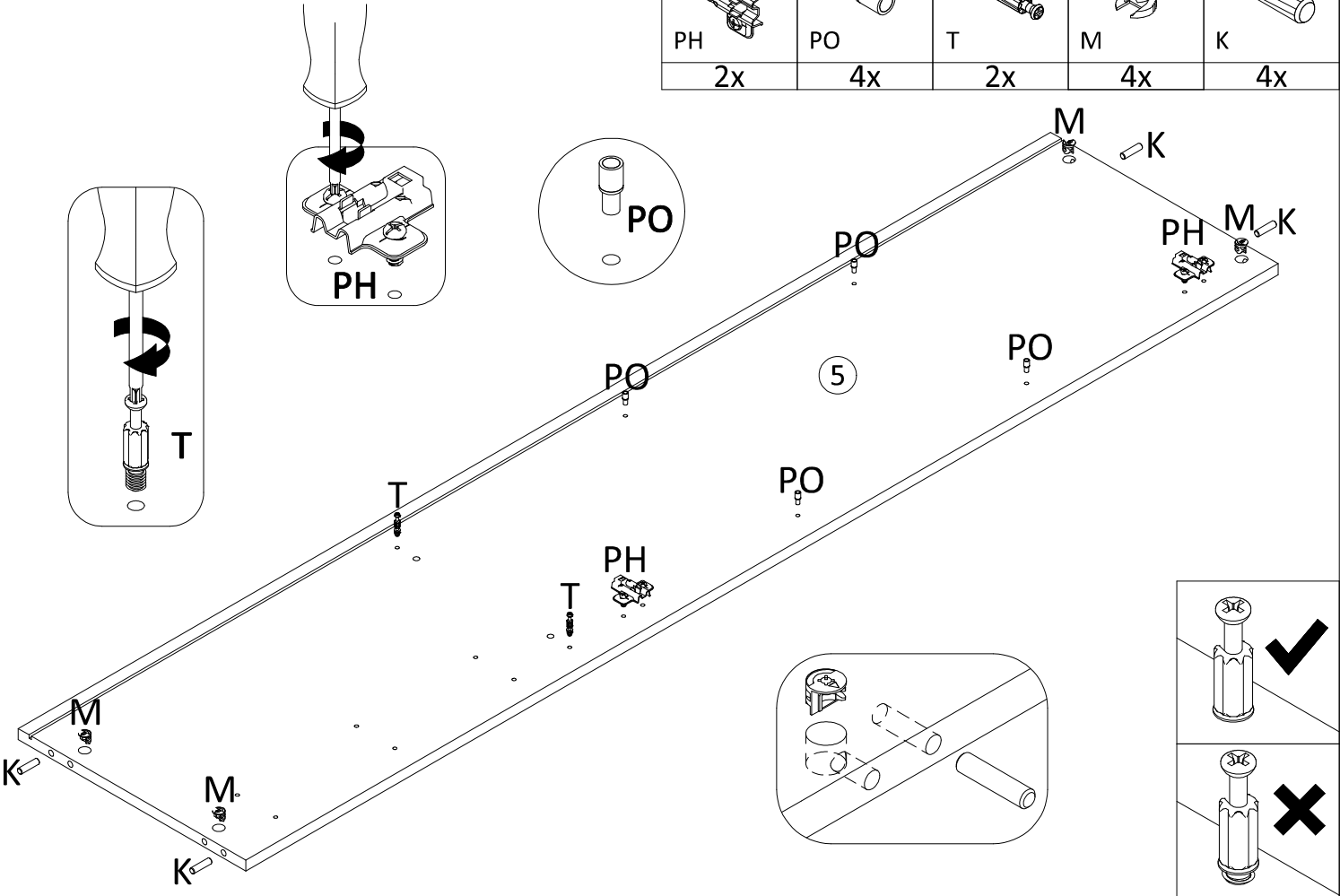


-1mm
+4.5mm





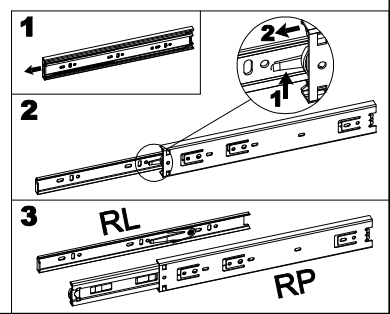
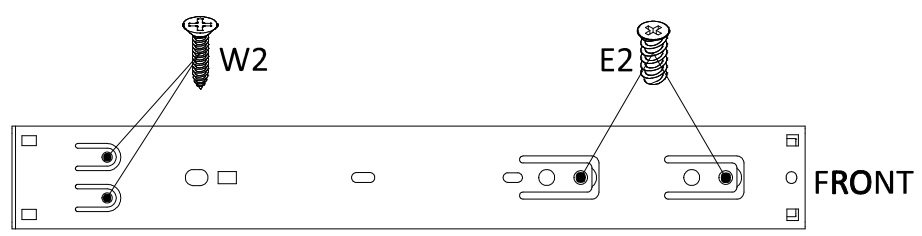
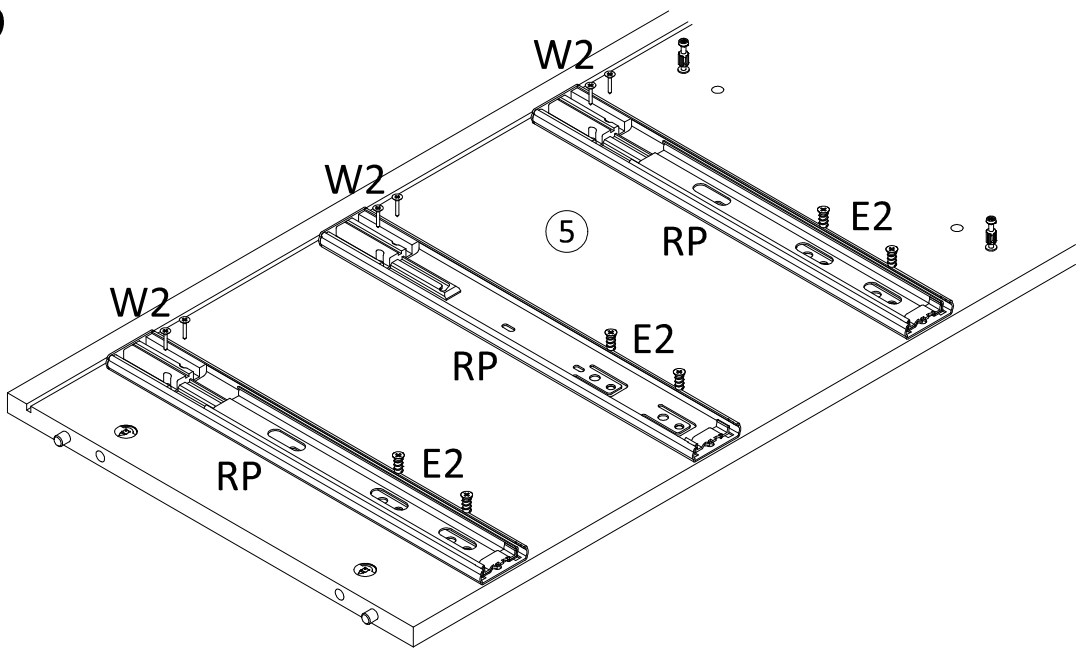
5

				
PH	PO	T	M	K
2x	4x	2x	4x	4x

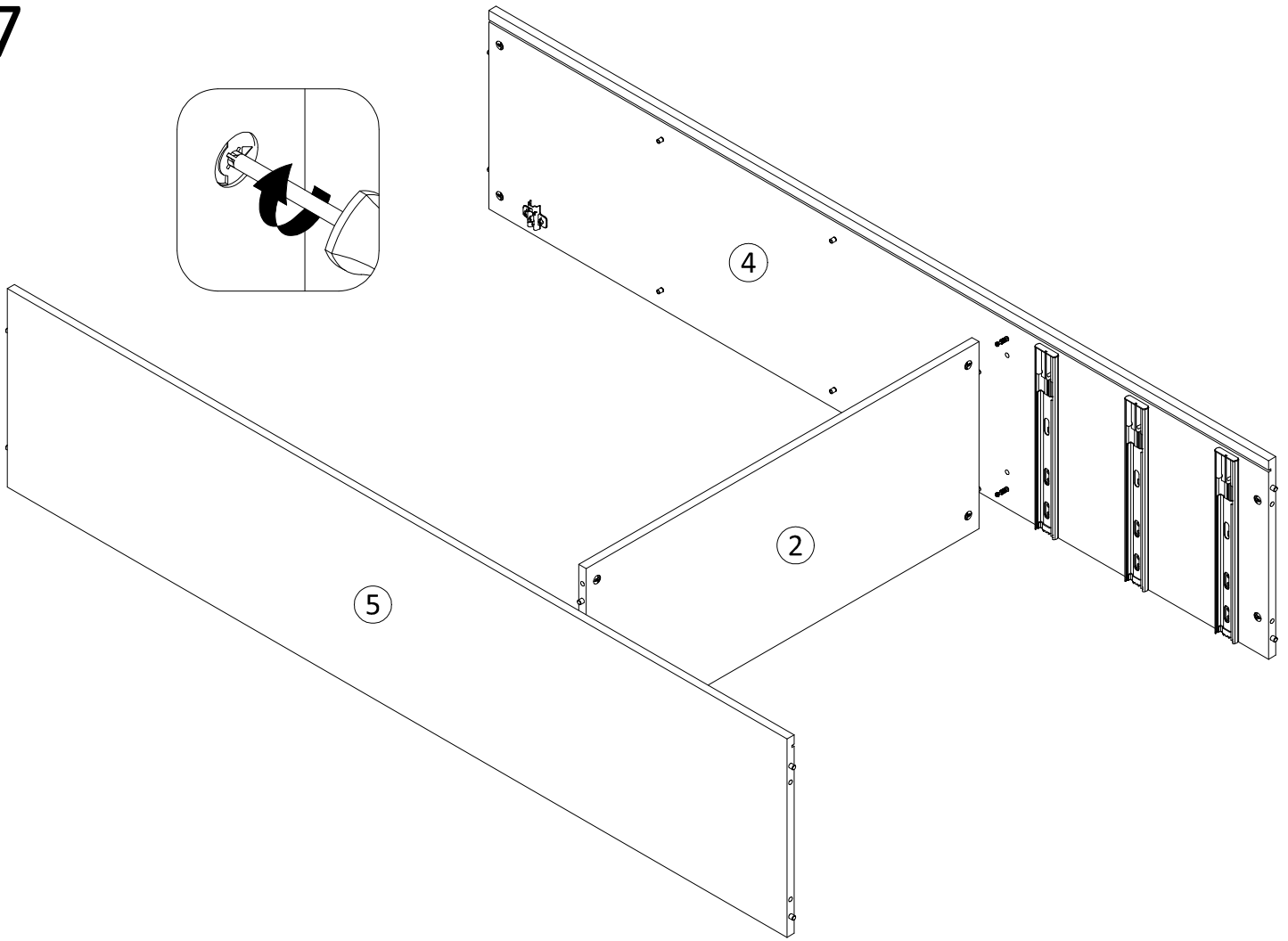


6

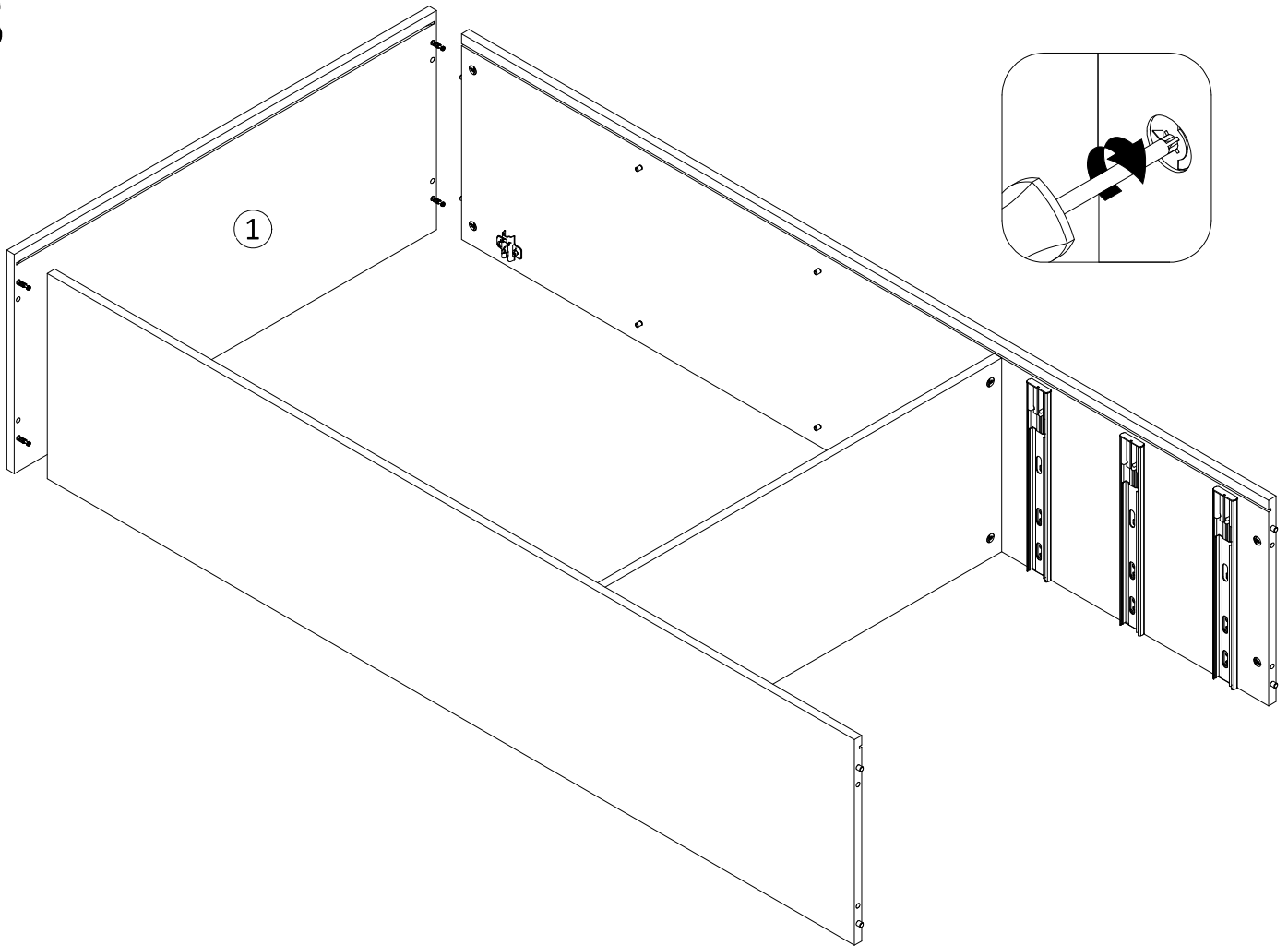
	
E2	W2
6x	6x



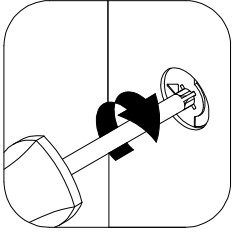
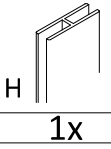
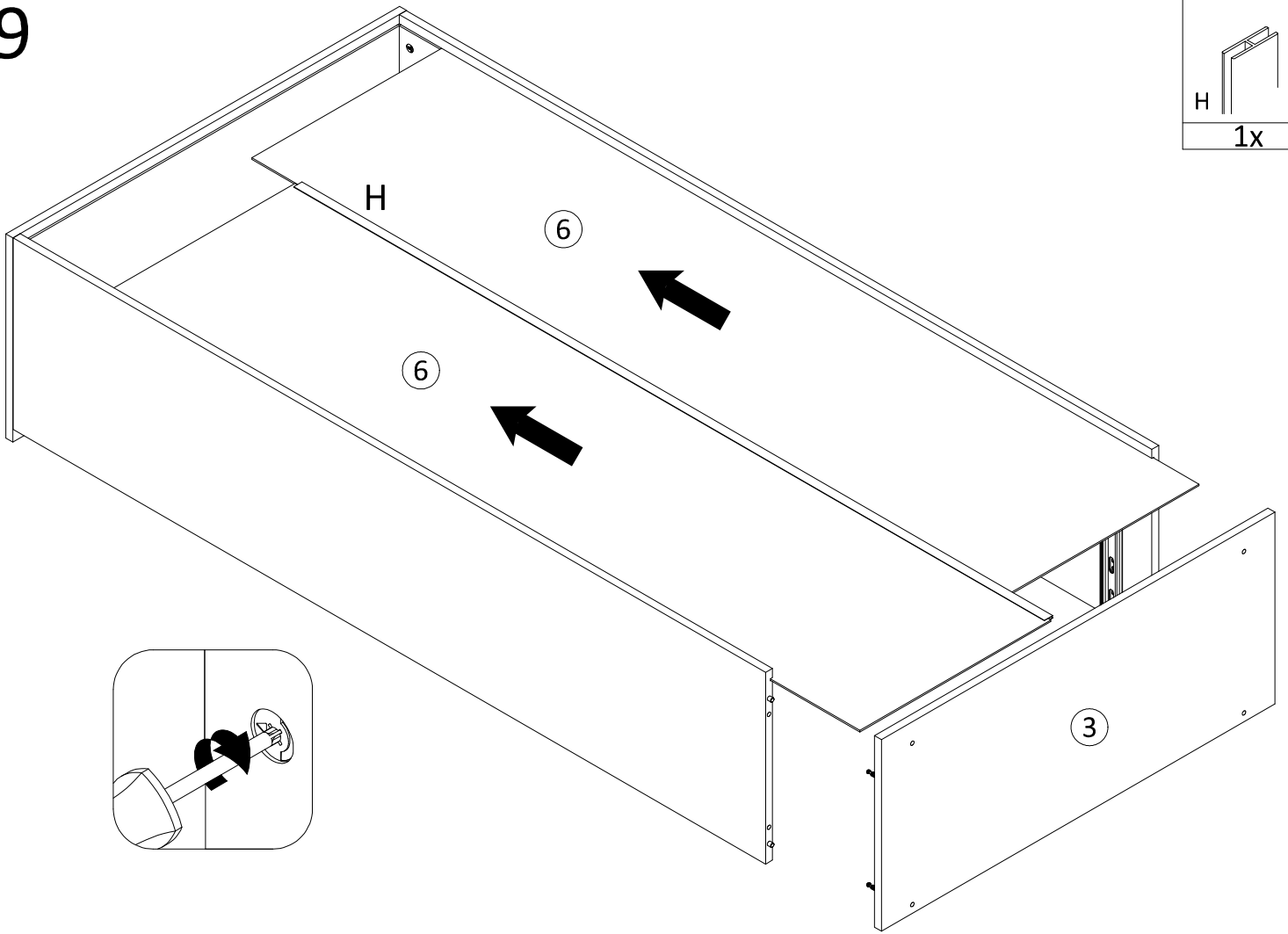
7



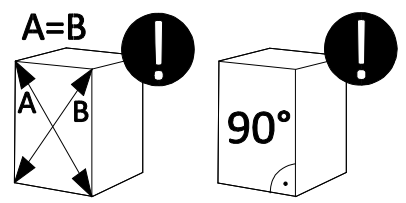
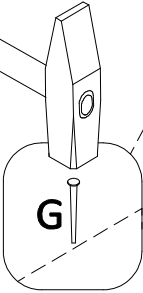
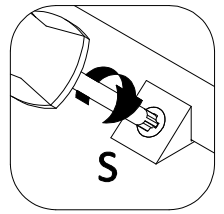
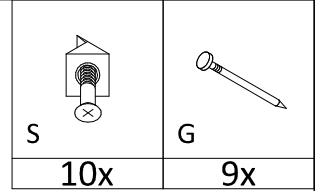
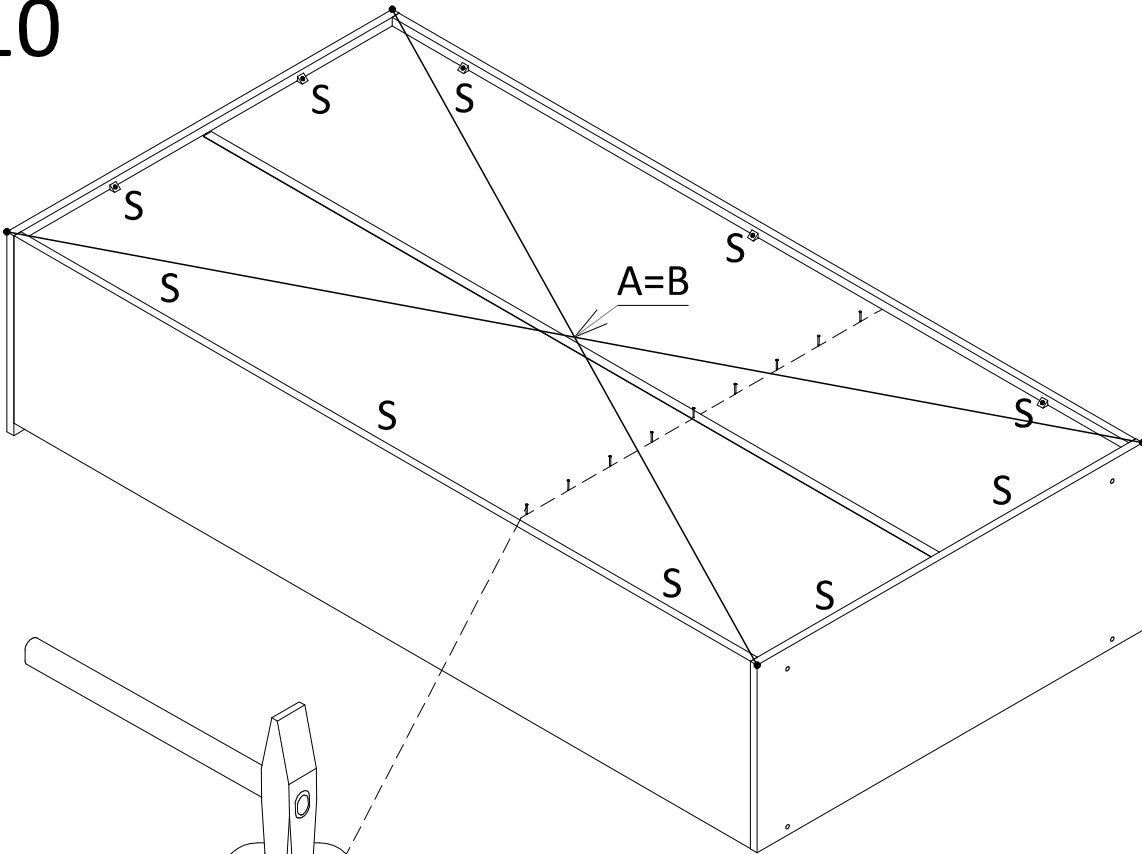
8



9



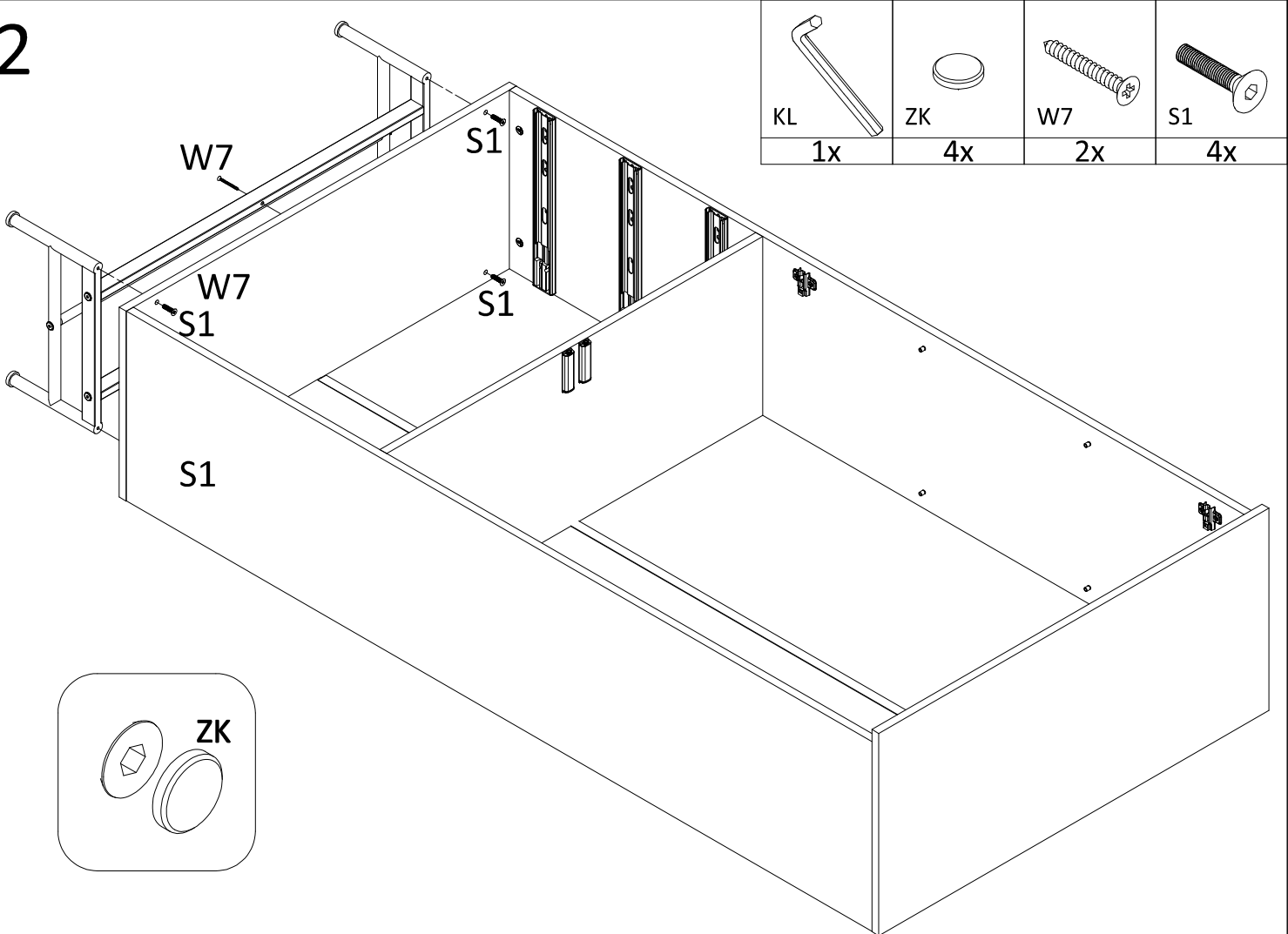
10



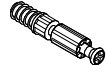
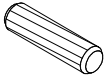
11

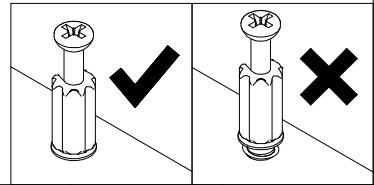
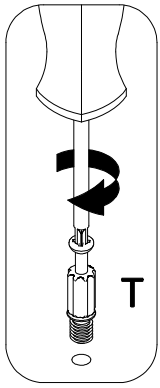
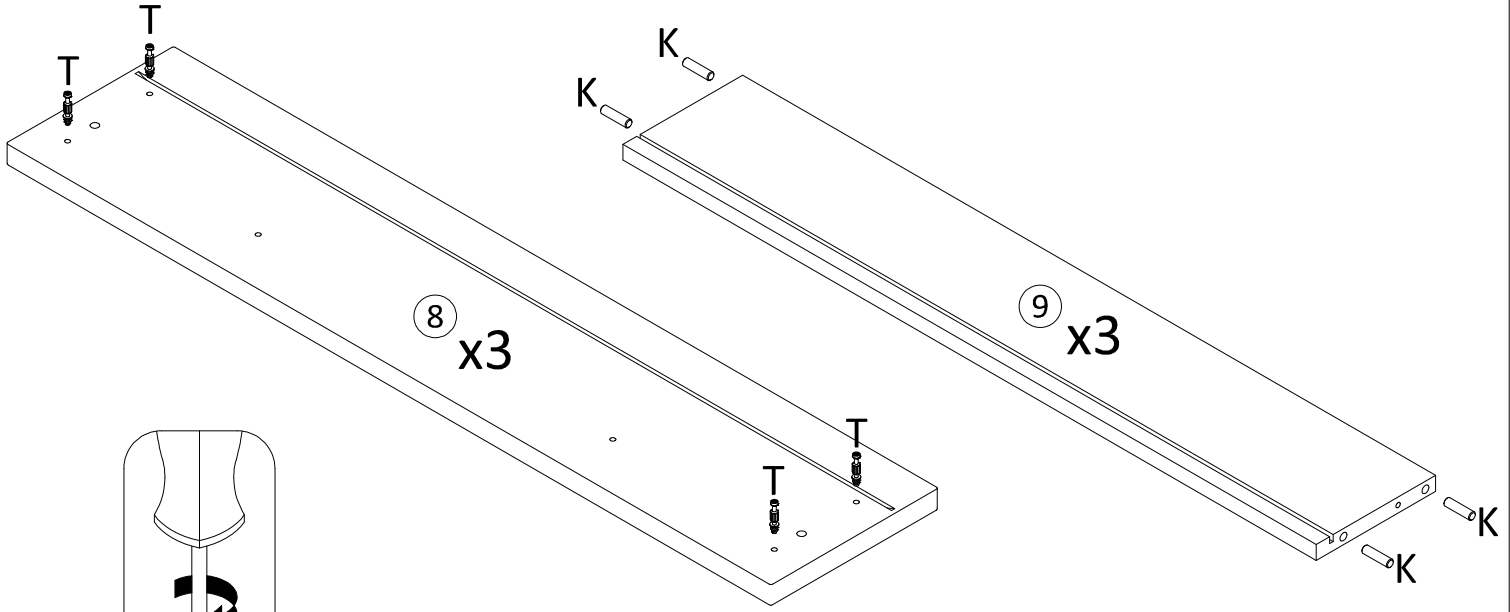


12

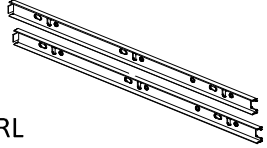


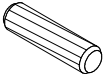


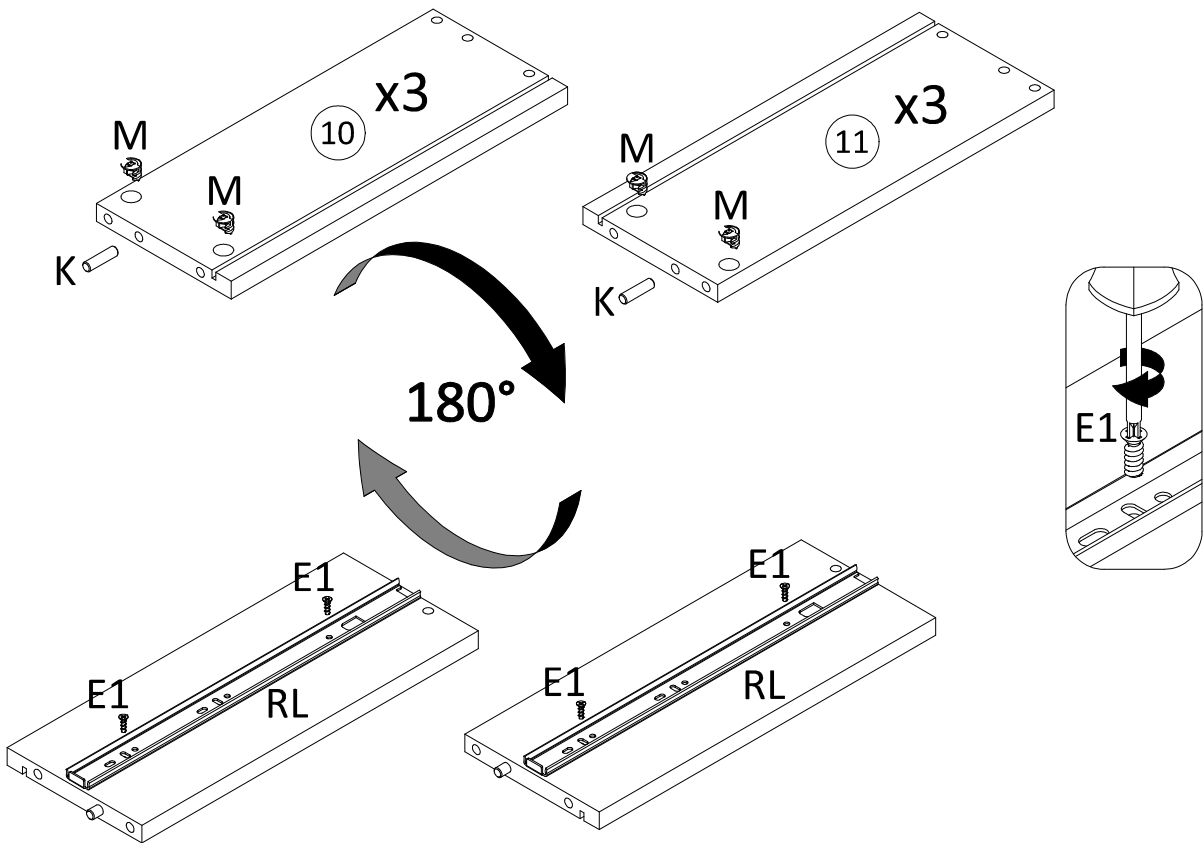
13

	
T	K
12x	12x

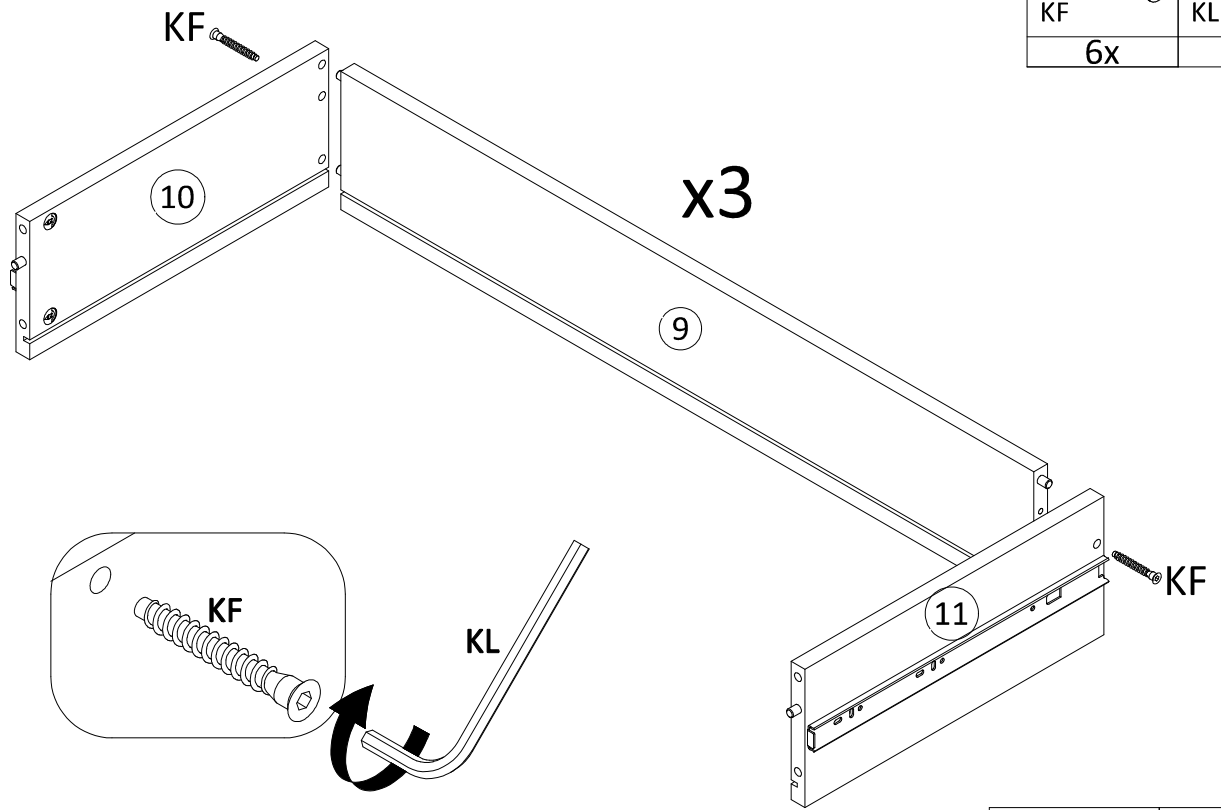


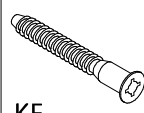
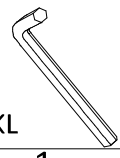
14

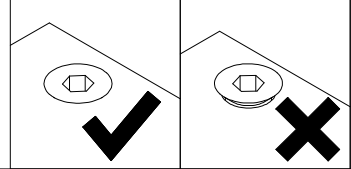
			
RL	E1	M	K
3x	12x	12x	6x



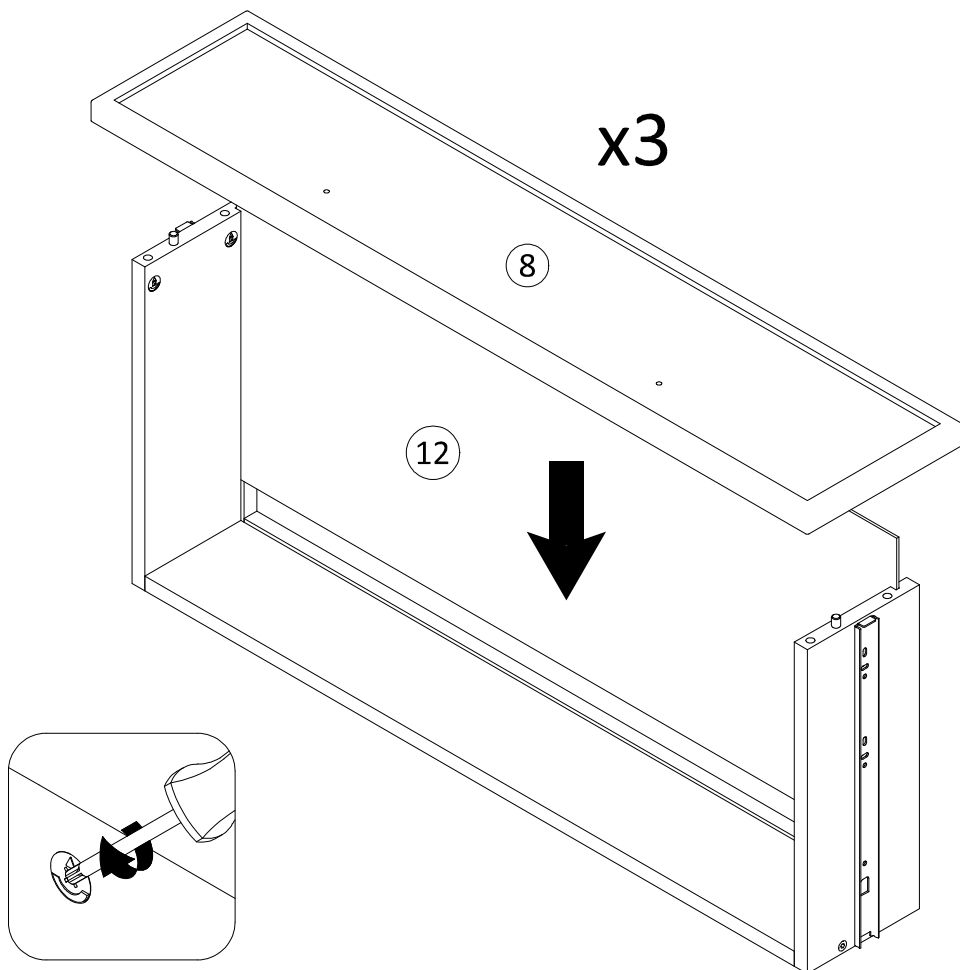
15



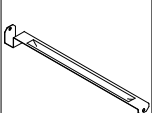

	
KF	KL
6x	1x

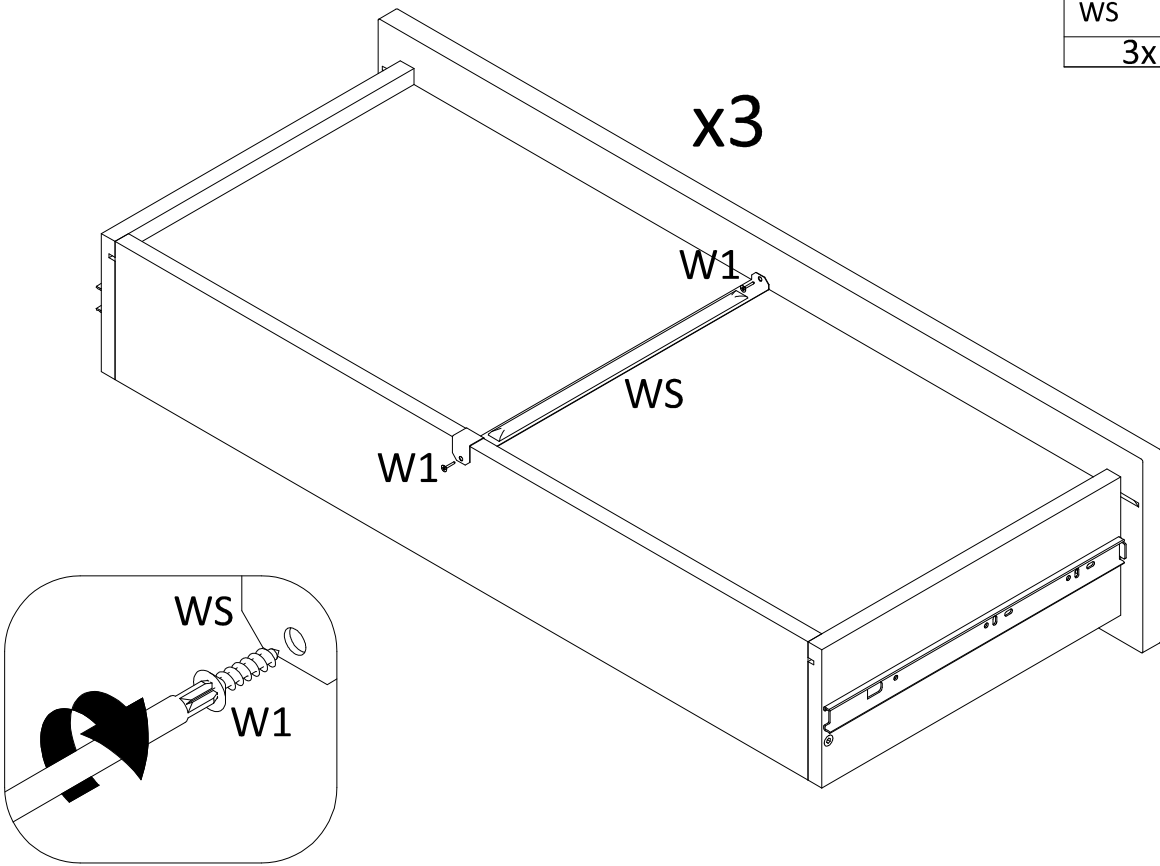


16

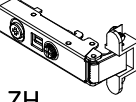


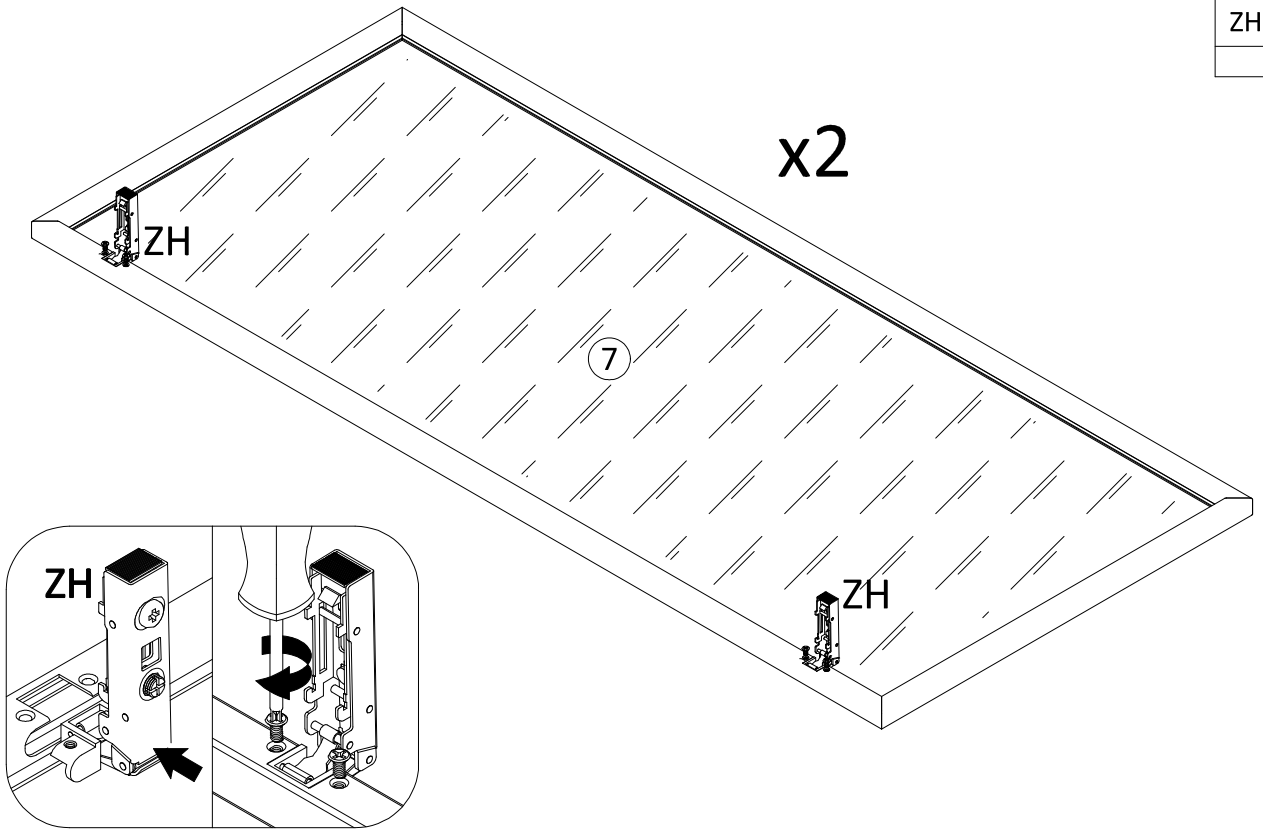
17

	
WS	W1
3x	6x

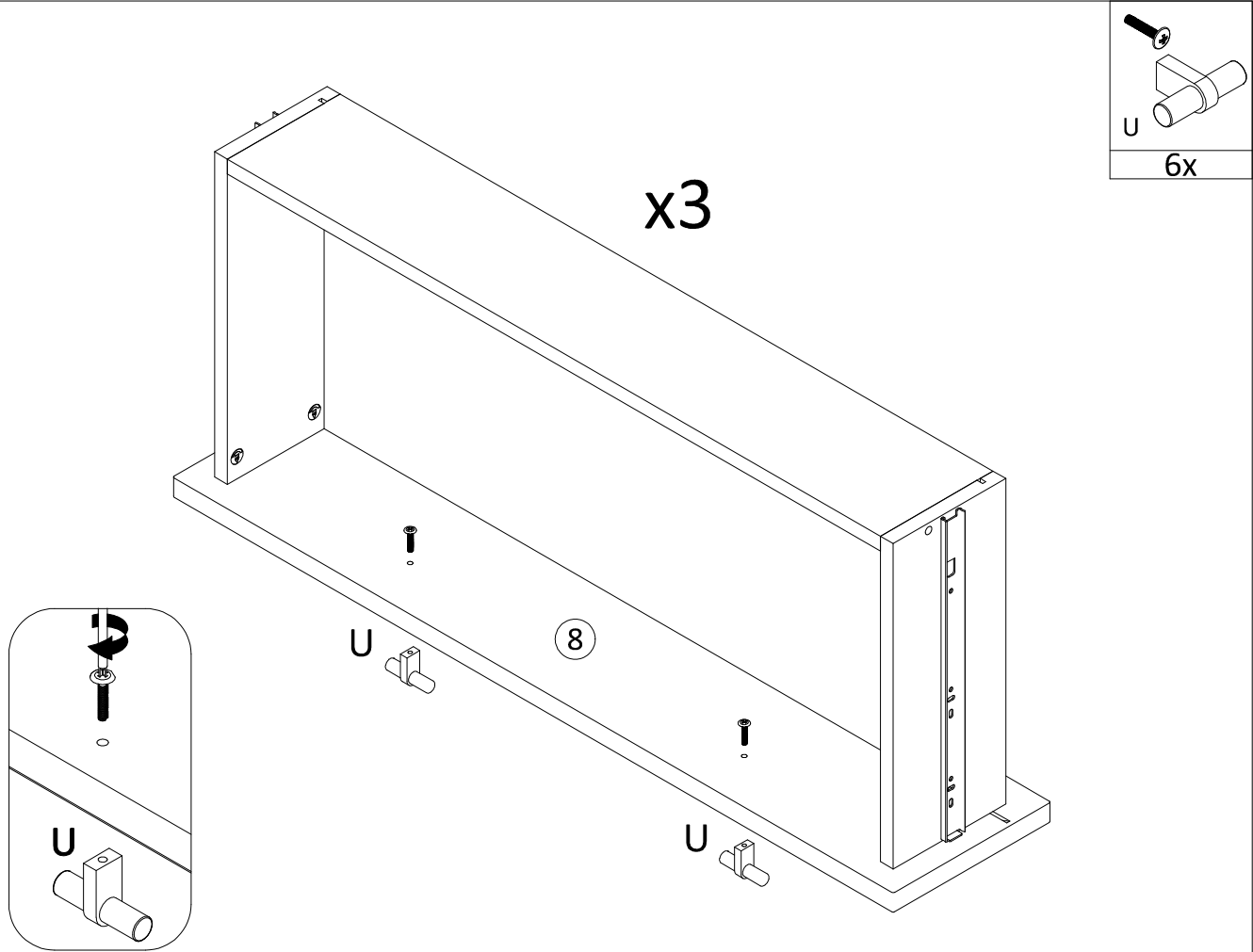


18

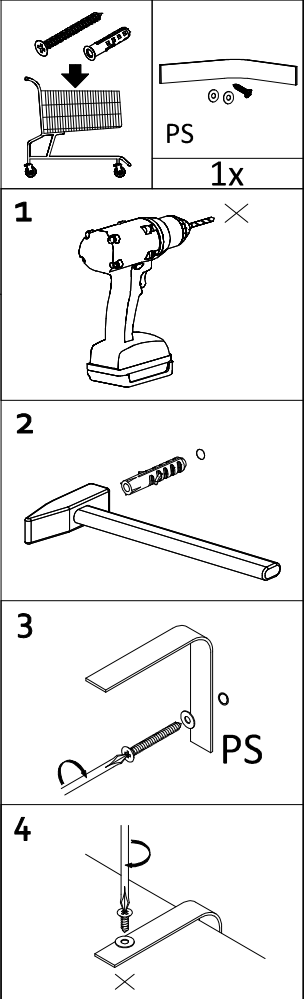
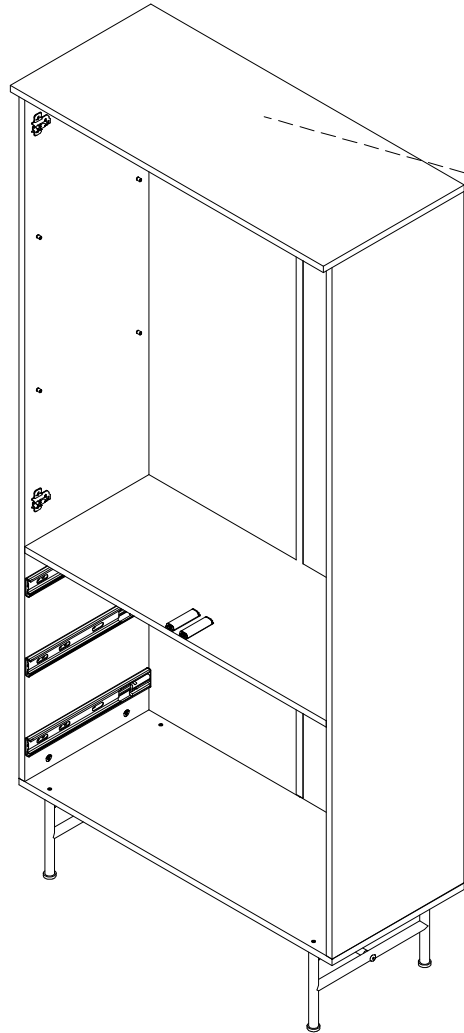

ZH
4x



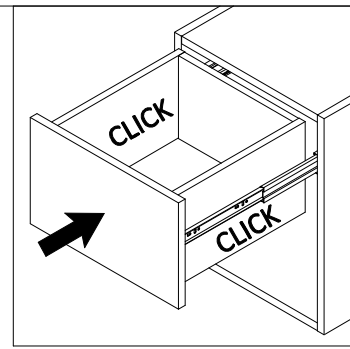
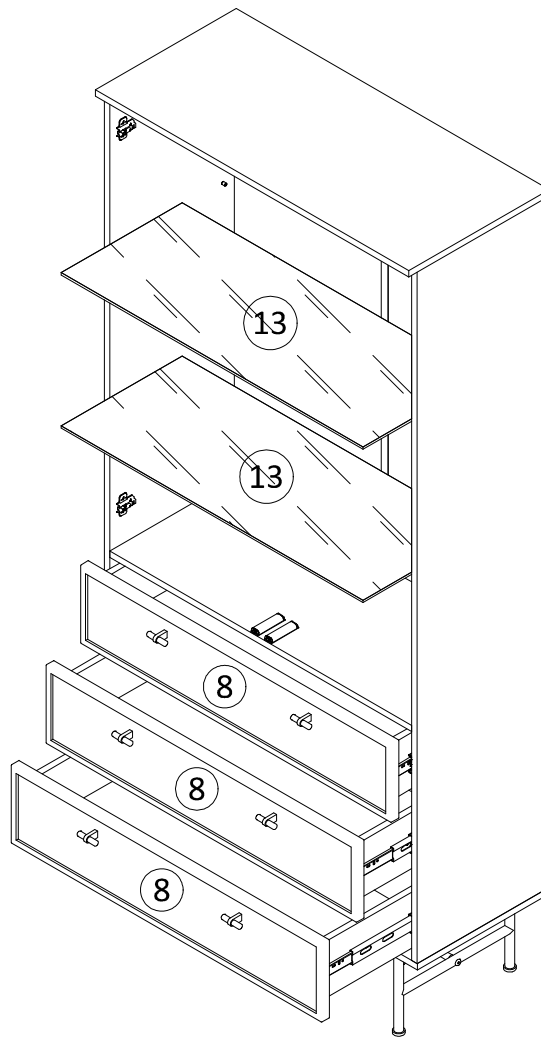
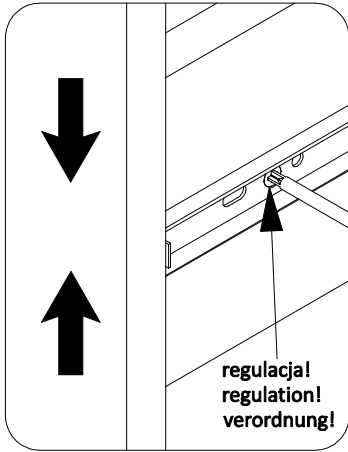
19



20



21



22

